

Date:

Type:

Project:

PEAK LIGHT COLUMN

A cylindrical light column made from heavy duty aluminum extrusion. Available in two sizes with light emitting downwards from the top.



Name	Width	Height	Lamping & Lumens*	Color Temp	Electrical	Mounting
PEAK	6 6" OD	12 12ft (max)	40W 4500	3000K 3500K	UNV 120-277V	ABT Anchors, Bolts & Template
	8 8" OD	16 16ft (max)	60W 6200	4000K 5000K	HLV 347-480V	
Contact for other lengths & sizes			Contact for other wattages & lumens	Specify other		

Lens	Light Pattern	Options	Finishes
CPL Clear polycarbonate Lens (Std)	TY5 Type V (Std)	TP/TS Tamperproof Hardware & Screws	BL Black
	TY3 Type III	GFR Ground Fault Receptacle	BZ Bronze
	TY2 Type II	DM 0-10V Dimming	WH White
		PC Button Photocell, voltage specific	SG Silver Grey
		SF Single Fuse	CC Custom Color
Contact for other options			See finishes info on website

*Lumens are based on Wattage, Type V distribution, and 5000K CCT

*Specific IES Files available upon request

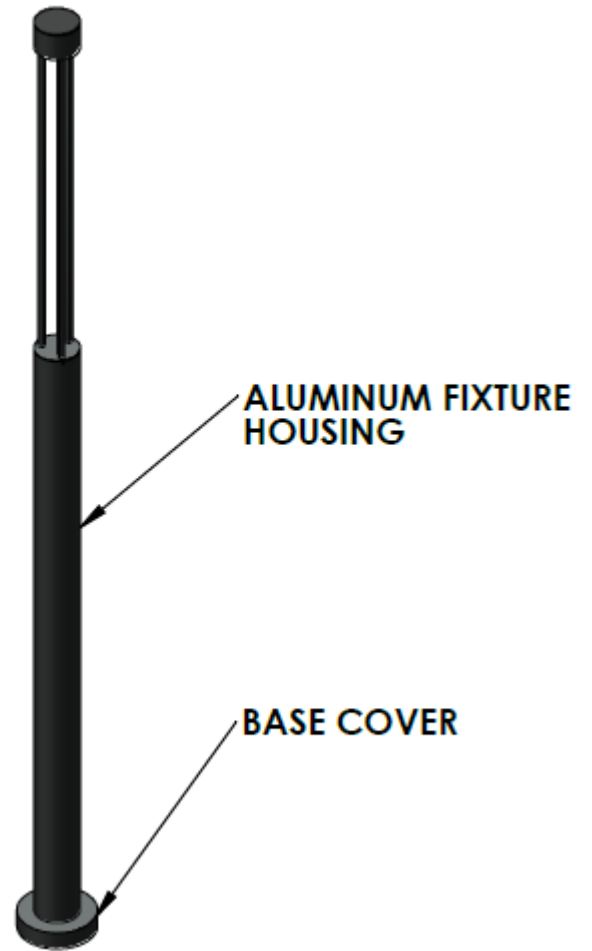
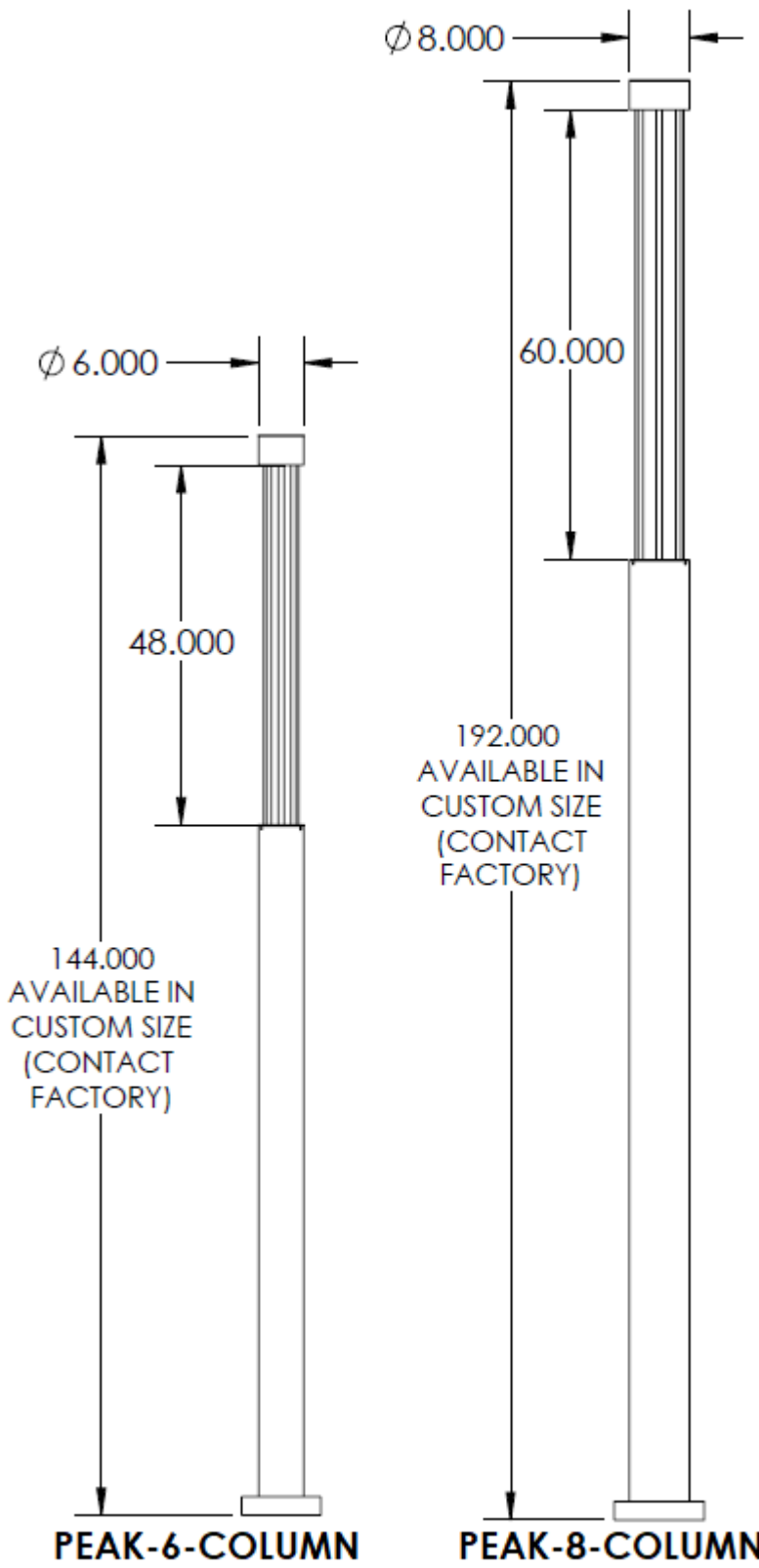
Std – Standard Offering

PEAK- _____

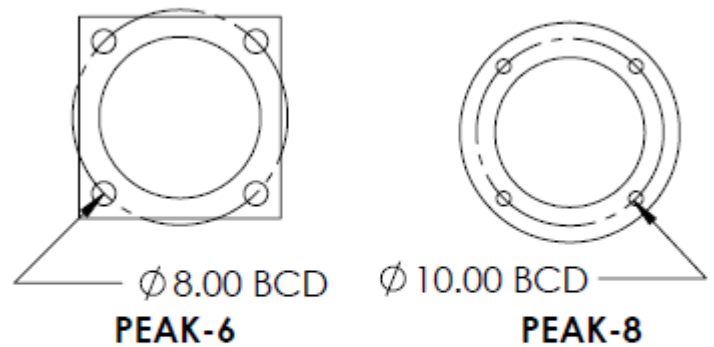
Customization Notes:

▶▶▶ Info on this spec sheet will change without notice as product development is an ongoing process.

Dimensions & Mounting (drawings are not to scale)



Anchoring Details:



Anchorbolt Size: 3/4" X 18" X 3-3/4"

- Hot dipped Galvanized anchor bolts
- Galvanized steel hex nuts
- Galvanized steel flat washers